

**PHILIPS**

CT Node



## Specification Sheet

# LLC7852, LLC7853

The CT node is a luminaire-based control device that connects your street light to the CityTouch and Interact City lighting management system.

The CT node uses cellular communication to remotely manage, monitor and control each street light individually.

The CT node controls the street light by switching the mains supply and provides dimming by means of a digital (DALI) interface.

The luminaire shall contain a smart (D4i/SR) LED driver for powering the CT node and energy reporting.

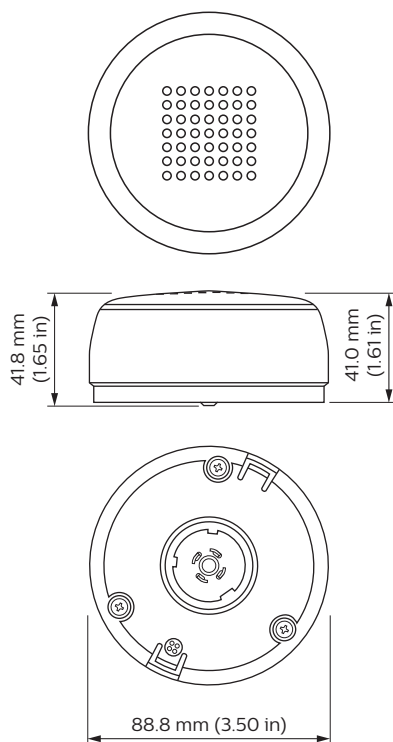


LLC7853/00

# LLC7852, LLC7853

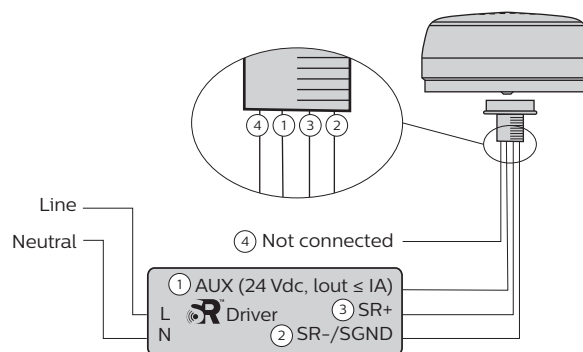
- The CT node is mounted to the luminaire by twist-locking it onto the 4-pin Zhaga receptacle.
- The CT node provides true plug and play commissioning: it automatically connects to the mobile network, automatically locates itself with the onboard GPS, and automatically uploads its asset data to the lighting management system.
- The CT Node works with street lights from almost any manufacturer.
- The CT Node is available in different colors to match the color of the luminaire.

## Dimensional drawings



LLC7852, LLC7853

## Wiring diagram



The driver needs to have short protection, and at least basic insulation circuit from mains power supply.

# Specifications

## Product Dimensions

Component height	41.8 mm (1.65 in)
Cover height	41.0 mm (1.61 in)
Diameter	88.8 mm (3.50 in)
Weight	0.13 kg (0.29 lb)

## Color

LLC7852	Dark Grey (RAL 7043)
LLC7853	Light Grey (RAL 7035)

## Supply

Supply voltage	24 VDC
Mains voltage	N/A
Accuracy on mains voltage	N/A
Mains frequency	N/A
Accuracy on mains frequency	N/A
Rated current	N/A

## Power Consumption

Standby power	≤ 0.5 W
---------------	---------

## Control interface

Control method	DALI
Intra-luminaire DALI bus	IEC62386-101, Philips SR certified specification v2, DALI Data specifications (DALI part 251, 252, 253)
Protection	Interface is protected against short circuit
Insulation	Class I, basic insulation
Load capacity	1 to 4 drivers

## Mounting

4-pin plug conform Zhaga book 18

## Connectivity

Technology	2G (GSM, GPRS) 4G (LTE Cat M1 bands 3, 8 and 20) will be enabled remotely in future
------------	---

## Energy metering

Energy metering device	Inside LED driver
Energy meter accuracy	Refer to specification of LED driver

## Auto location

Positioning device	Inside CT node
Positioning accuracy	CEP50 ≤ 2.5 m

## Light control

Light sensing device	Inside CT node
Measurement range	Between 5 and 400 lux
Configurable range	Remote configurable light level between 15 and 200 lux
Default settings	Default dusk/dawn level 20/20 lux

## Astronomical clock control

Configurable range	Remote configurable time offset range -120 to 120 minutes, sun elevation angle range -25 to 25°
Default settings	Default dusk/dawn angle 0°/0°

## Surge immunity

Power supply	6 kV Common Mode acc. IEC61000-4-5. 2 Ohm, 1.2/50 us, 8/20 us
Control surge (diff. mode)	0.5 kV acc. IEC61000-4-5. 40 Ohm, 1.2/50us, 8/20us

## Temperature characteristics

Operating temperature	-40 °C to 70 °C (-40 °F to 158 °F)
Tcase max	70 °C measured at Tcase point
Tcase life	45 °C measured at Tcase point
Storage temperature	-40 to 80 °C (-40 to 176 °F)
Relative humidity	5 to 95% non-condensing

## Lifetime

90% survivals after 15 years continuous operation (125,000 hours) at Tcase-life.

## Certificates and Standards

Approval markings	CE, ENEC
Ingress protection classification	IP65. The luminaire shall provide sealing of the compatible receptacle.
Impact resistance classification	IK08

## Sustainability

RoHS directive	2011/65/EU
Hazardous substances	Directive 2011/65/EU, as amended by Directive (EU) 2015/863 of March 2015
Chemical substances	REACH Directive 2006/1907/EC
Electronic waste	WEEE Directive 2002/96/EC05

## Radio Equipment Directive 2014/53/EU

Safety (lighting equipment)	IEC/EN 61347-1 IEC/EN 61347-2-11
Safety (IT equipment)	IEC/EN 62368-1
EMC (lighting equipment)	EN 55015 EN 61547
EMC (IT equipment)	EN 55032 EN 55024
EMC (telecommunication)	ETSI EN 301 489-1 ETSI EN 301 489-52
EMC (GPS)	ETSI EN 301 489-1 ETSI EN 301 489-19
RF (telecommunication)	ETSI EN 301 511 ETSI EN 301 908-1 ETSI EN 301 908-13
RF (GPS)	EN 303 413
RF exposure	This device meets the EU requirements (2014/53/EU) on the limitation of exposure of the general public to electromagnetic fields by way of health protection. The device complies with RF specifications when the device used is at 321 mm from your body.



## Ordering Data

Type	Order code
LLC7852/00 CT NODE ZHAGA DC EU4VF LG	9137 010 57603
LLC7853/00 CT NODE ZHAGA DC EU4VF DG	9137 010 57703

© 2020 Signify Holding. All rights reserved. Specifications are subject to change without notice. No representation or warranty as to the accuracy or completeness of the information included herein is given and any liability for any action in reliance thereon is disclaimed. Philips and the Philips Shield Emblem are registered trademarks of Koninklijke Philips N.V. All other trademarks are owned by Signify Holding or their respective owners.



[www.philips.com/lighting](http://www.philips.com/lighting)